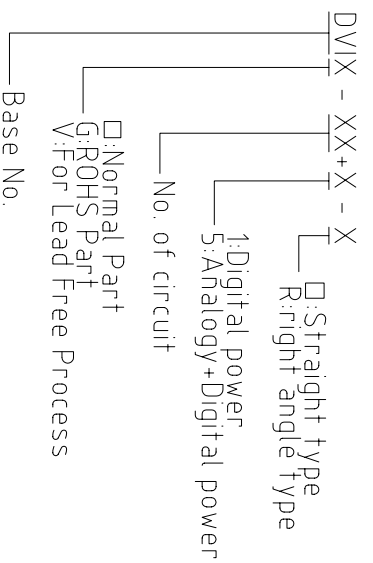


RECOMMENDED PCB LAYOUT

**MATERIAL**

- INSULATOR: THERMOPLASTIC, UL94V-0
- CONTACT: PHOSPHOR BRONZE
- SHELL: SPCC
- LEG: BRASS
- RIVET: BRASS
- FINISH**
- SHELL: NICKEL PLATING
- CONTACT PLATING: DUPLEX OVER NICKEL PLATED
- SPECIFICATION**
- VOLTAGE RATING: 40 V(AC)
- CURRENT RATING: 1.5 AMP
- INSULATION RESISTANCE: 1000MΩ MIN. 500V DC.
- CONTACT RESISTANCE: 30mΩ MAX.
- DIELECTRIC WITHSTANDING VOLTAGE: 500V
- TEMPERATURE RANGE: -20°C~+80°C

**HOW TO ORDER**



MATERIAL		UNIT		DESCRIPTION:	
SEE NOTE		mm		DVI FEMALE 90° TYPE	
DR. KELLY		RE.		GENERAL TOLERANCE	
NEW RELEASE(A00895)		APP.		0. ±±.50 0.° ±±5°	
REV. RECORD		DATE		SCALE 2.5/1	
REV. A		05/16/07		P/N DVI-24+5-R	
REV. A		CHK.		REV. A	
REV. A		DATE		SHEET NO.	

**LONG CHU ELECTRONICS CO. LTD**  
**LCU** 龍竹企業股份有限公司